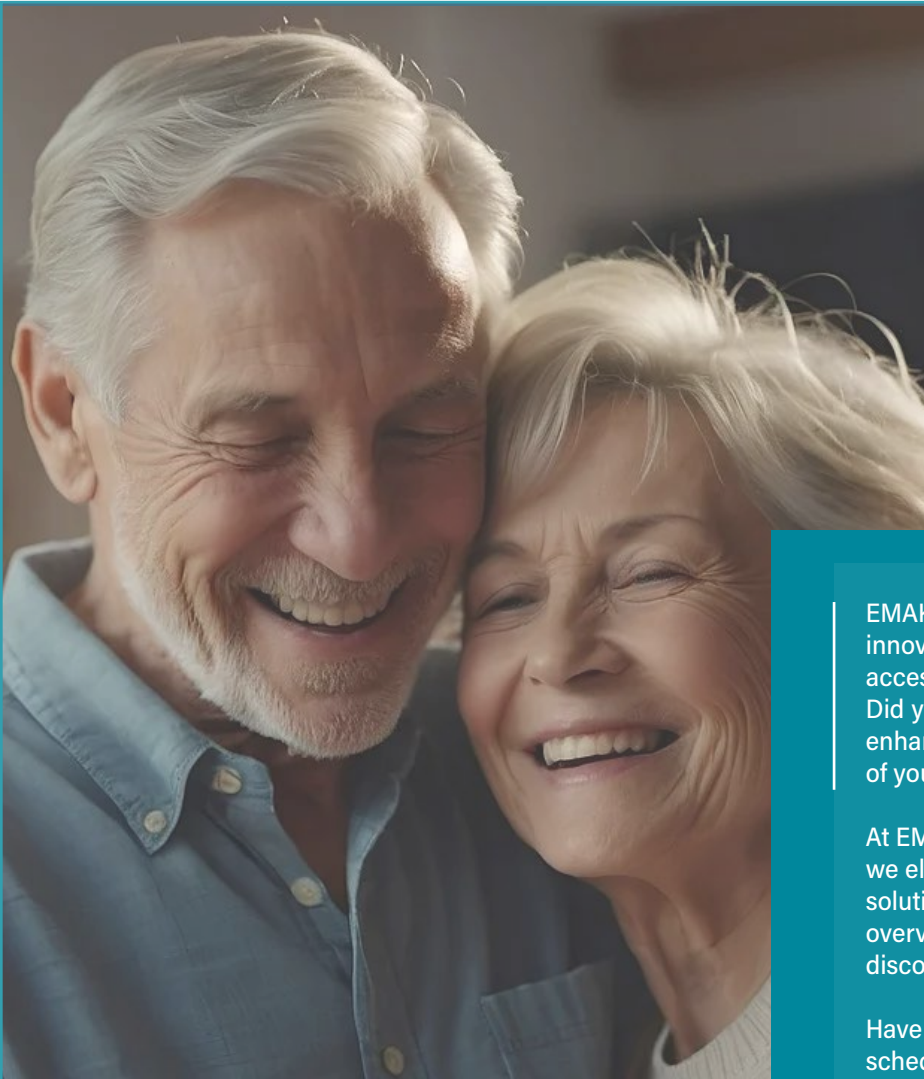


EMAK

MINI

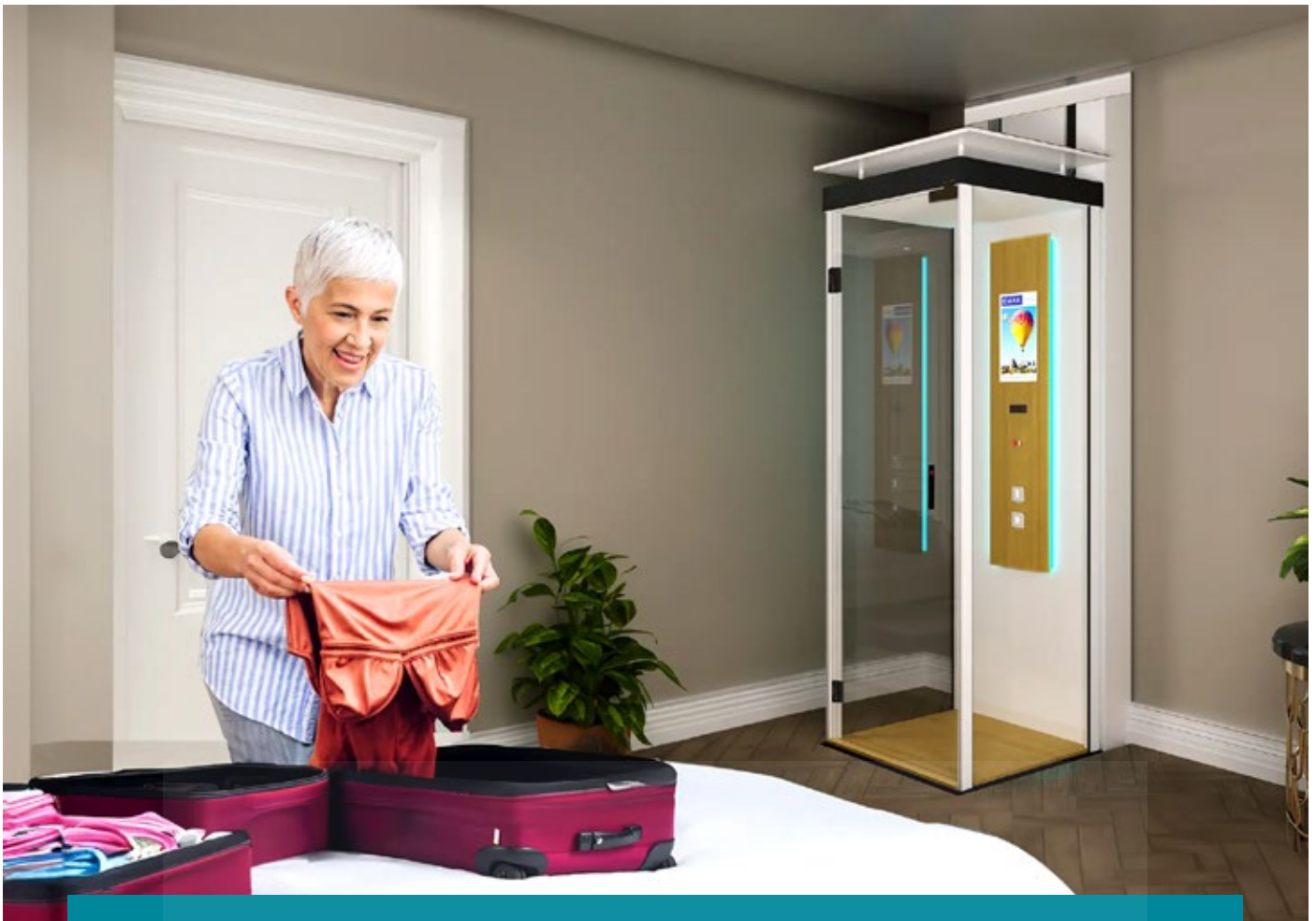




EMAK MINI brings comfort to your home with innovative home elevators that allow effortless access to every floor. Did you know that having a home elevator can enhance your quality of life and increase the value of your property?

At EMAK MINI we eliminate all your worries with our turn-key solutions. In this brochure, you'll find a brief overview of our home elevators, helping you discover the perfect option for your home.

Have we inspired you? If you'd like to learn more or schedule an appointment with one of our advisors, please reach out to us at our E-mail: info@emakmini.com
We look forward to assisting you!



Space Efficiency

Occupying less space, footprint - covers just 0.8m² ideal for efficient use of limited areas. Compact Design and Architectural Flexibility

Cost Effectiveness

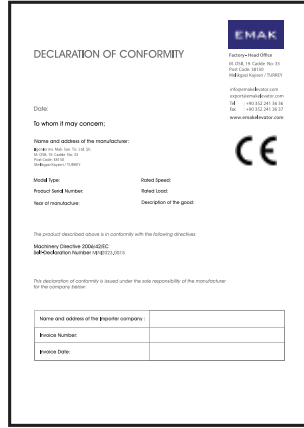
EMAK Mini elevators are often more economical to install and maintain. As a practical choice for budget-conscious projects, they provide reliable vertical transportation without compromising quality.

Safety and Reliable

"Emak Mini" are equipped with safety features to ensure passenger security including emergency stop button and switches to detect obstructions.

EMAK MINI

TECHNICAL SPECIFICATIONS



- **Compliance** - Machine Directive 2006/42/EC.
- **Type of Lift** - Shaftless Through Floor Lift.
- **Power Supply** - 1PH. 200-240V 2,2kw 24,8A 50/60hz INVERTER
- **Environmental Conditions** - Indoor Only.
- **Drive System / Control** - Hydraulic Direct 1:1 Drive/PLC.
- **Rated Load** - 150 kg - Standing 1 Person.
- **Rated Speed** - Max. Speed 0,15 m/s.
- **Travel Height** - Standard application up to 3000 mm
 Optionally more than 3000 mm
- **Overhead** - 2350mm
- **Number of Stops** - 2 Stops.
- **Cabin Button Operation** - Push and Hold.
- **Hall Call Operation** - Push and Go via Remote Control
- **Cabin Door Configuration** - 8 mm Glass Manual Swing Door. Hinged Left or Right.
- **Cabin Entrance Step Rise** - 88 mm
- **Landing Door** - N/A
- **Cabin Side Wall (Right & Left)** - 5 mm Plexiglass.
- **Emergency Lowering** - Manual lowering on valves.
- **Power Failure Rescue** - Automatically operated downwards travel via UPS.



Touch Screen



Lighting

SAFETY SEATBELT

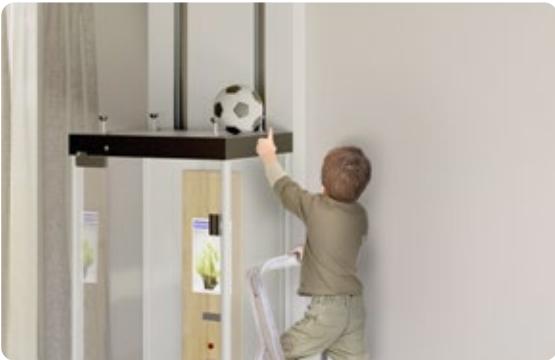
- **Integrated Rapture Valves on Cylinder:** These valves automatically activate in the event of a pressure loss in the elevator cylinder, preventing the elevator from falling. This ensures a safe stop.
- **Cabin Door and Lock Switch Contact:** This safety system prevents the elevator from operating when the cabin door is not closed. It enhances safety by ensuring the elevator doesn't move with the door open.
- **Emergency Stop Button on Cabin Operation Panel:** This button allows users to instantly stop the elevator in case of an emergency. It provides a quick means of intervention during sudden dangers.
- **Cabin Upperpan Switches + Cabin Upperpan Finger Switches:** These switches ensure safety at the top of the cabin. If the top cover is opened, the elevator automatically stops, increasing user safety.
- **Cabin Underpan Switches:** These switches prevent the elevator from operating if there is an object under the cabin. This feature helps to avoid potential accidents.
- **Upper Limit Switch:** This switch activates when the elevator reaches the upper floor, preventing further upward movement. It protects the elevator mechanism.
- **Automatic Releveling:** This system ensures the elevator aligns perfectly with the target floor, allowing users to enter and exit safely at the correct level.
- **Floor Level Surveillance:** This feature detects each floor level to ensure the elevator stops at the correct position, allowing users to safely open the doors.
- **Door Open Buzzer:** This audible alert notifies users if the door remains open, reminding them to be cautious during elevator use.
- **Trapdoor for Upper Floor:** This door is designed to enhance safety on the upper floor by preventing users from accessing potentially hazardous areas.
- **Overload Device:** This device activates when the weight limit of the elevator is exceeded, stopping the elevator from operating. It prevents dangers associated with overloading.

These safety features are designed to protect both users and the elevator mechanism, ensuring a safe and reliable experience.

Cabin Underpan Switch



Cabin Upperpan Finger Switch



Trapdoor Upperpan Switch

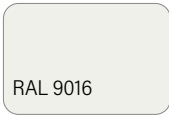


The MINI cabin is equipped with safety switches located Underpan and Upperpan. These switches detect any obstacles in the path of the cabin. If the cabin encounters an object, the system automatically stops the cabin and then reverses its direction to clear the obstacle, ensuring safety and preventing further contact or damage.

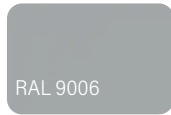


Wall + Strucrer **1**

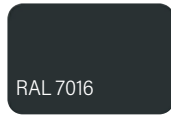
Powder Coated Steel Plate



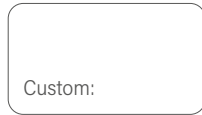
RAL 9016



RAL 9006



RAL 7016



Custom:

Floor **2**

Carpet



Wood (Option)





THROUGH FLOOR LIFT

STANDARD SEATING FEATURES



1. **15.6" IPS Multimedia Touch Screen:** Now, your family photos won't be forgotten in just the phone gallery. With the "Emak Mini" screen, you can easily send pictures from your phone to the elevator display using the same Wi-Fi network through the application.
2. **Emergency Stop Button:** This button allows users to instantly stop the elevator in case of an emergency. It provides a quick means of intervention during sudden dangers.
3. **Push and Hold Button:** This button moves the elevator only while pressed, giving users control and preventing accidental operation.



Remote Control: You can easily control your elevator with the remote control feature, allowing you to effortlessly reach the desired floors.

AVAILABLE OPTIONS



Fixed Ramp on Ground Floor (Optional)

Cabin Side Walls 8mm Tamped Glass (Optional)



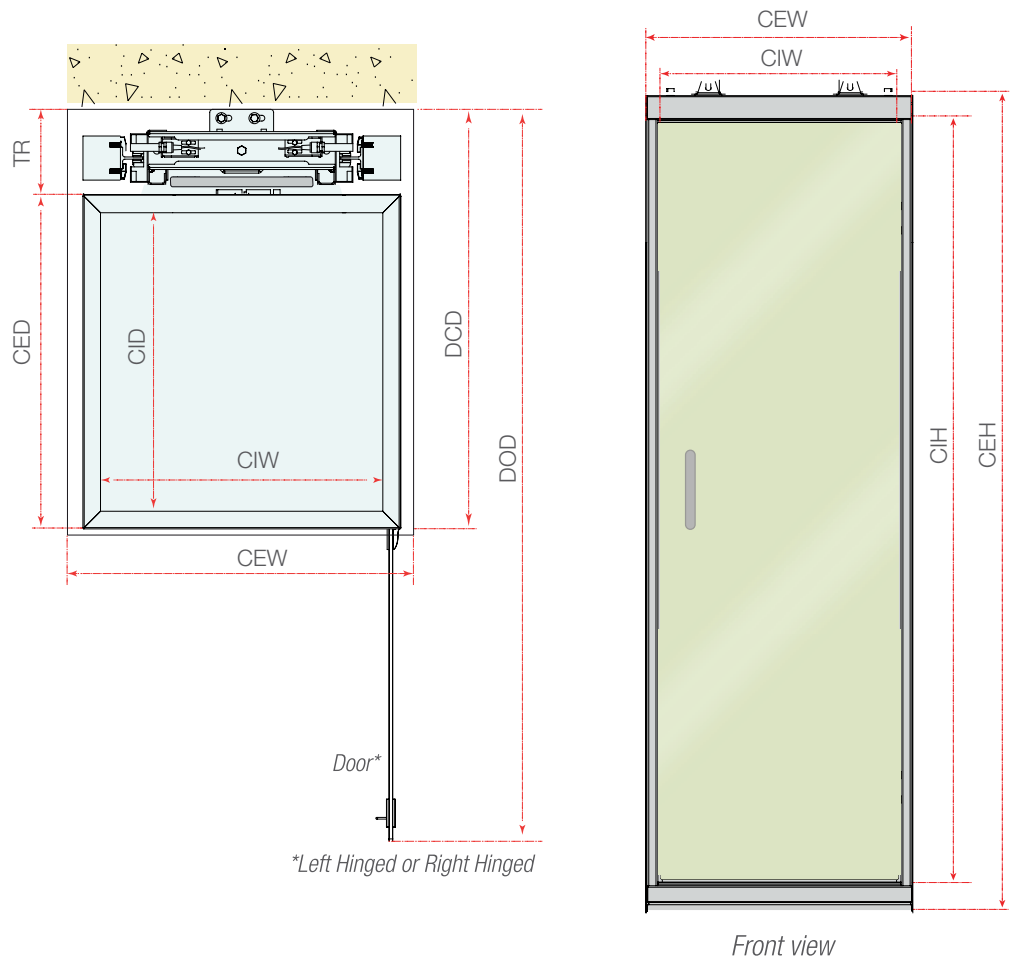
Emergency Calling GSM Module (Optional)



Multicolor LED Lighting on cabin button Remote Control (Optional)

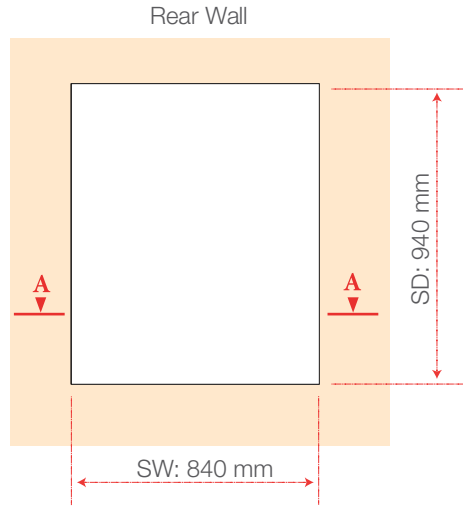
Elevator designs offer a variety of optional features that can be customized according to users needs and preferences.

LAYOUT DRAWINGS

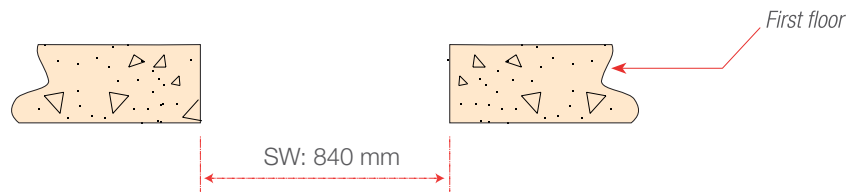


TR	:	Traction	:	180	mm
CIH	:	Cabin Internal Height	:	2000	mm
CEH	:	Cabin External Height	:	2180	mm
CED	:	Cabin External Depth	:	740	mm
CID	:	Cabin Internal Depth	:	675	mm
CEW	:	Cabin External Width	:	740	mm
CIW	:	Cabin Internal Width	:	695	mm
DCD	:	Door Close Depth	:	920	mm
DOD	:	Door Open Depth	:	1585	mm
OH	:	Overhead (Min)	:	2350	mm
TH	:	Travel Height (Min-Max)	:	2200-2999	mm

PLAN VIEW

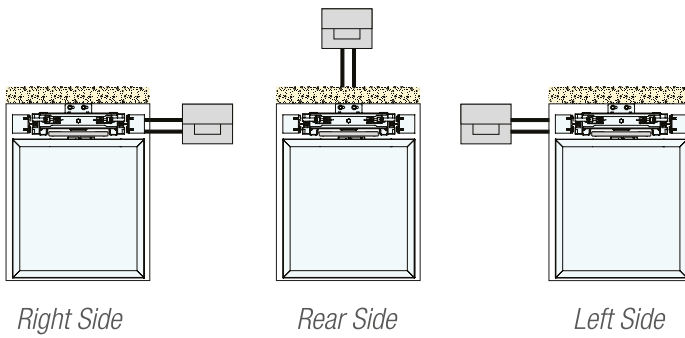


Requested cut-out dimension details for first floor (Aperture)

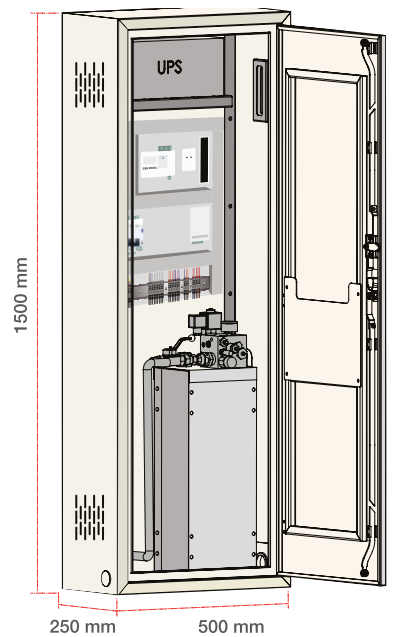


Section A-A

ELECTRIC CABINET DIMENSIONS



The hydraulic power unit and control panel are housed in a single box. This integration can reduce installation time and make the system more compact. It also simplifies maintenance and servicing.



SINCE
1971

EMAK

Factory - Head Office

M.OSB, 19. Cadde No:33 38150 Melikgazi KAYSERİ / TURKEY

Tel : +90 352 241 36 36

export@emakelevator.com info@emakmini.com

United Kingdom

Unit C8, Angel Works Road Advent Way, N18 3AH

London, United Kingdom N18 3AH

Tel : +44 7803 623438 uk@emakelevator.com

Australia

Coastal Lifts

5/5 Pavillion Place Cardiff Nsw 2285

Tel: 1800 844 882 Info@coastallifts.com.au